

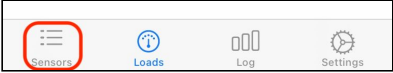

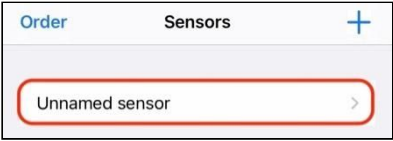




Smart Fittings Manager App Quick Guide

View your sensor live loads and more on our [smartphone app](#) - point your phone camera at the QR code above to download the app from the iOS.

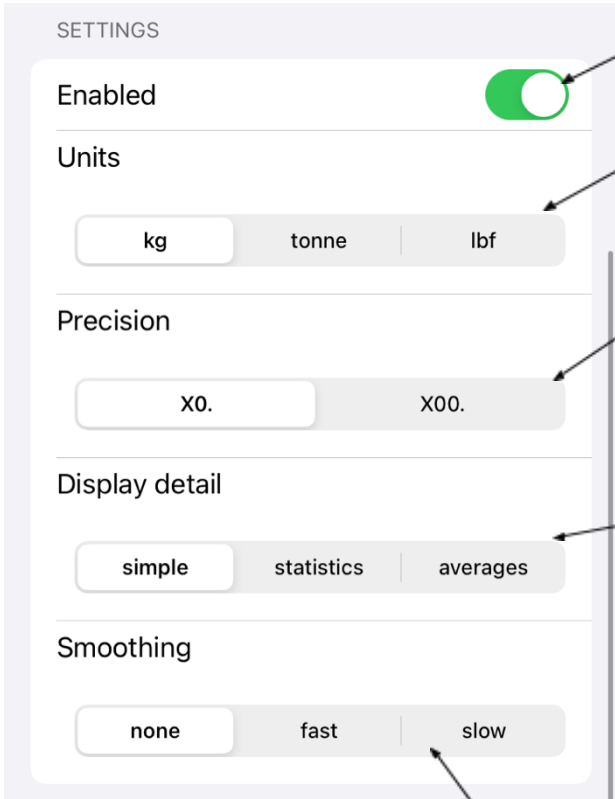
iOS

Add a sensor (video available at <https://youtu.be/FhyBpg8wSjk>)

- 
- 
- 
- 
- batteries installed + powered on + in range = live load shown.

Enter provided 12-character data key
 = correct data key format

Sensor Detail Page explained



Enabled = show/hide on 'Loads' page.

Units changes what units the load is shown in.

Precision changes the number of significant figures the load is shown in.
 'X0.' counts in multiples of 10.
 'X00.' counts in multiples of 100.

Display detail provides more information on the loads page collected while the app has been active.

Statistics = minimum, maximum and average of the sensor load.

averages shows 1, 10 and 30min averages.

min	avg	max	1 min	10 min	30 min
30	30	30	30	30	30

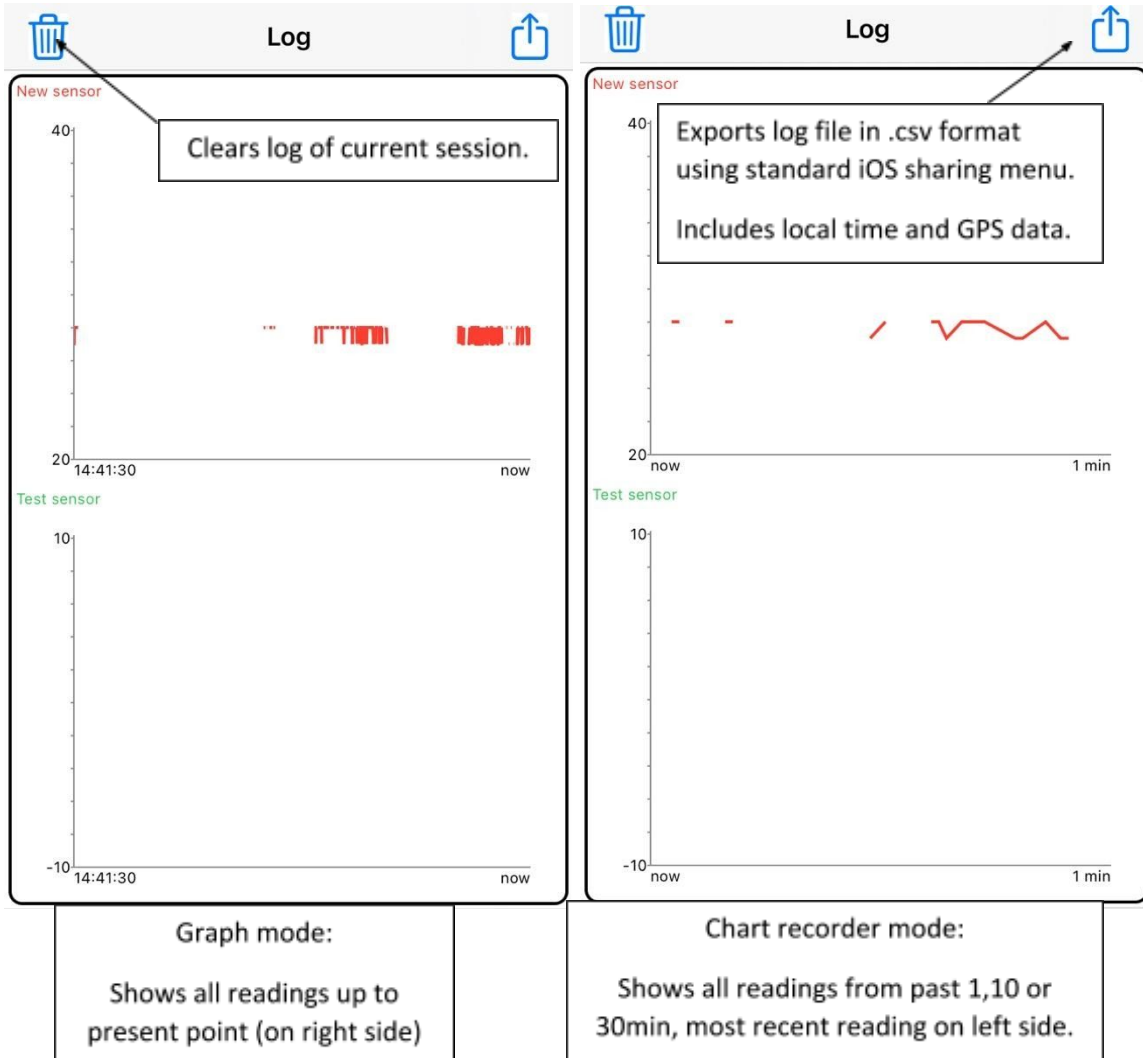
Smoothing changes the live load display to display an average of the most recent readings.

'fast' displays an average of the last 10 readings

'slow' displays an average of the last 100 readings



Log page explained

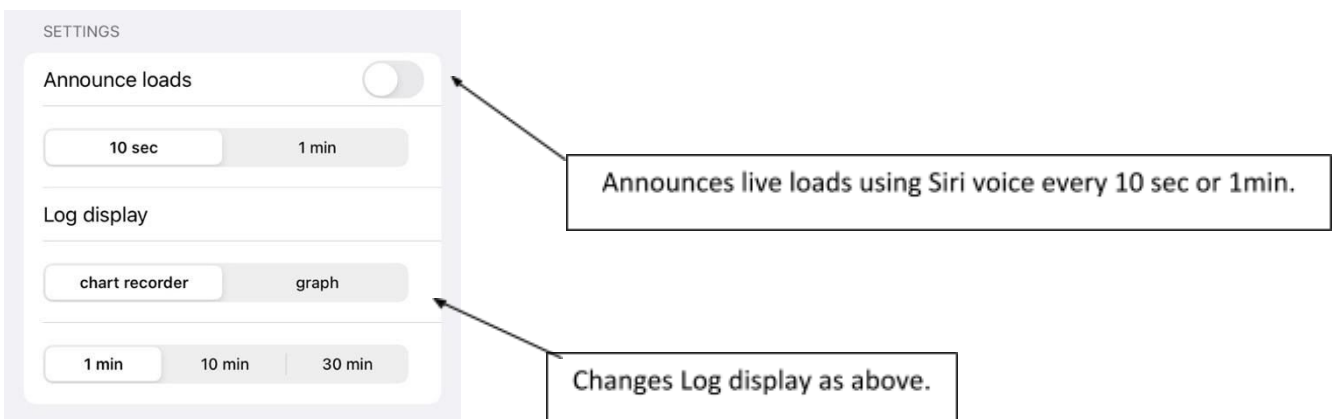


Graph mode:
Shows all readings up to present point (on right side)

Chart recorder mode:
Shows all readings from past 1,10 or 30min, most recent reading on left side.

PLEASE NOTE: When logging a session using the app, the app must always be in the foreground and the display must be set to never sleep (iOS settings->Display & Brightness->Auto-Lock->Never). Otherwise the session log data may be lost.

Settings page explained



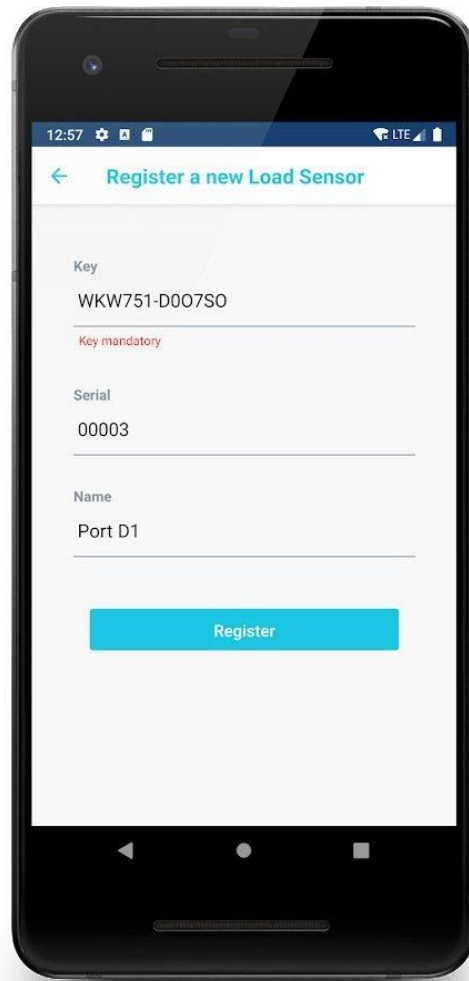
Announces live loads using Siri voice every 10 sec or 1min.

Changes Log display as above.



Android

To add your sensor, install the batteries, enter the 5-digit sensor serial number and 12-character data key provided with the sensor to allow the app to listen to the sensor.

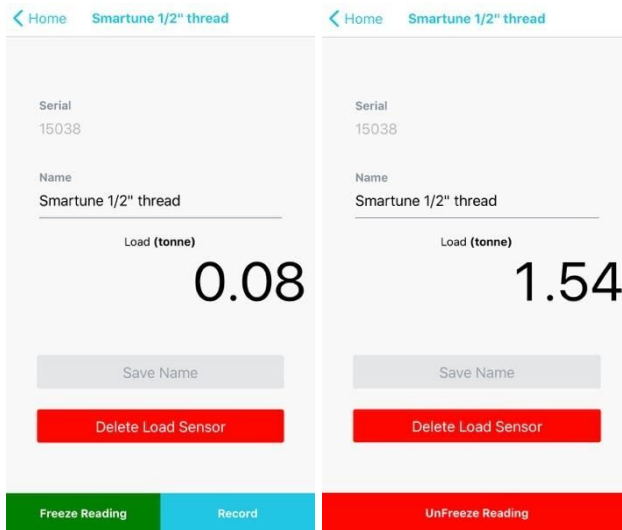


Give the sensor a pull to verify the change in load.



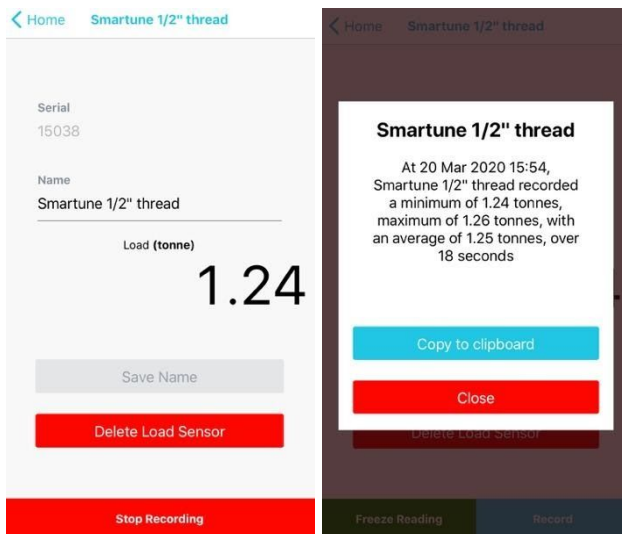
App functionality

Freezing Sensor reading



This button freezes the load value onscreen.
(This does not record the value)

Record



This button records the specific load data until 'Stop Recording' is pressed. A summary of the data is then displayed onscreen, with an option to copy the summary to clipboard for pasting into another app e.g. Notes

NOTE:

1. This app does not work in the background. If the user switches to another app while recording, the data will be lost.
2. It is possible to record multiple sensors, but 'Record' will need to be pressed for each. Once 'Stop Recording' is pressed, screenshot each summary to capture the data, as switching to another app to paste the data will stop recording. This will be addressed in future app updates.